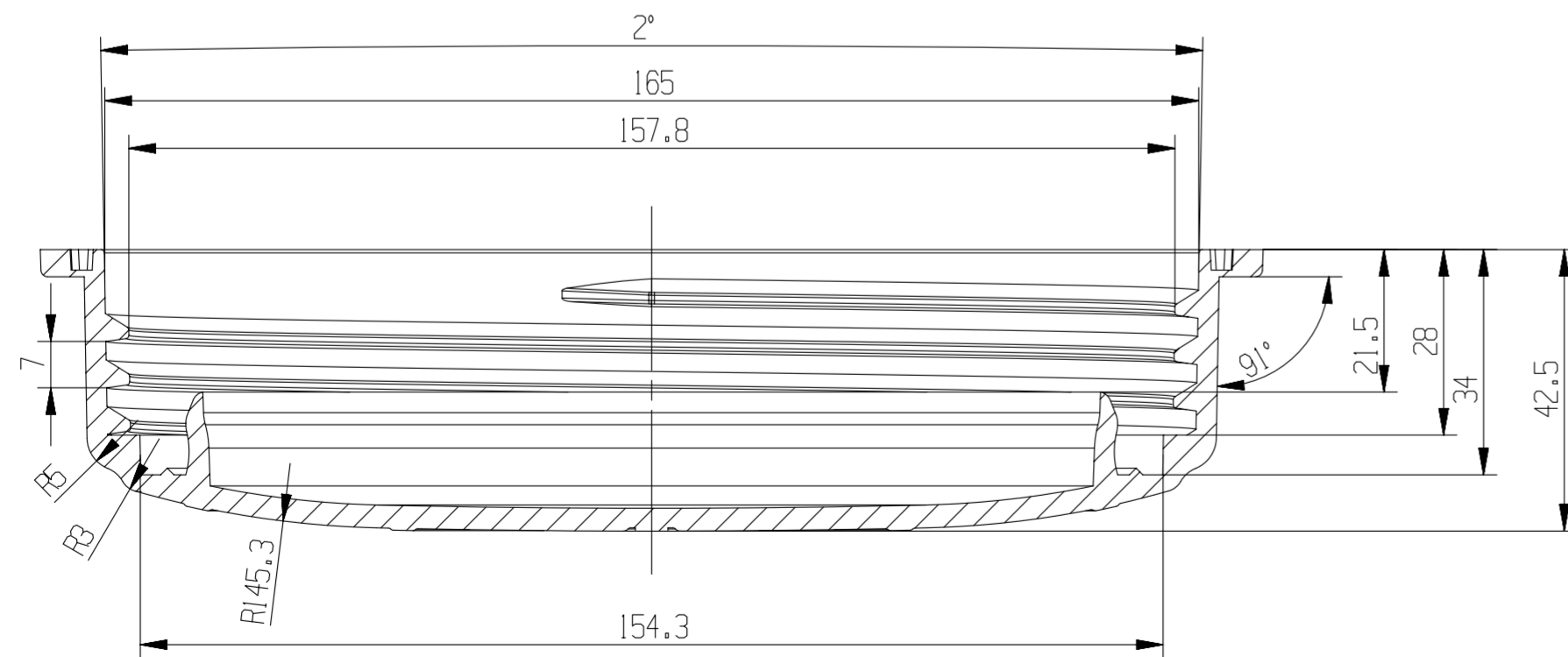
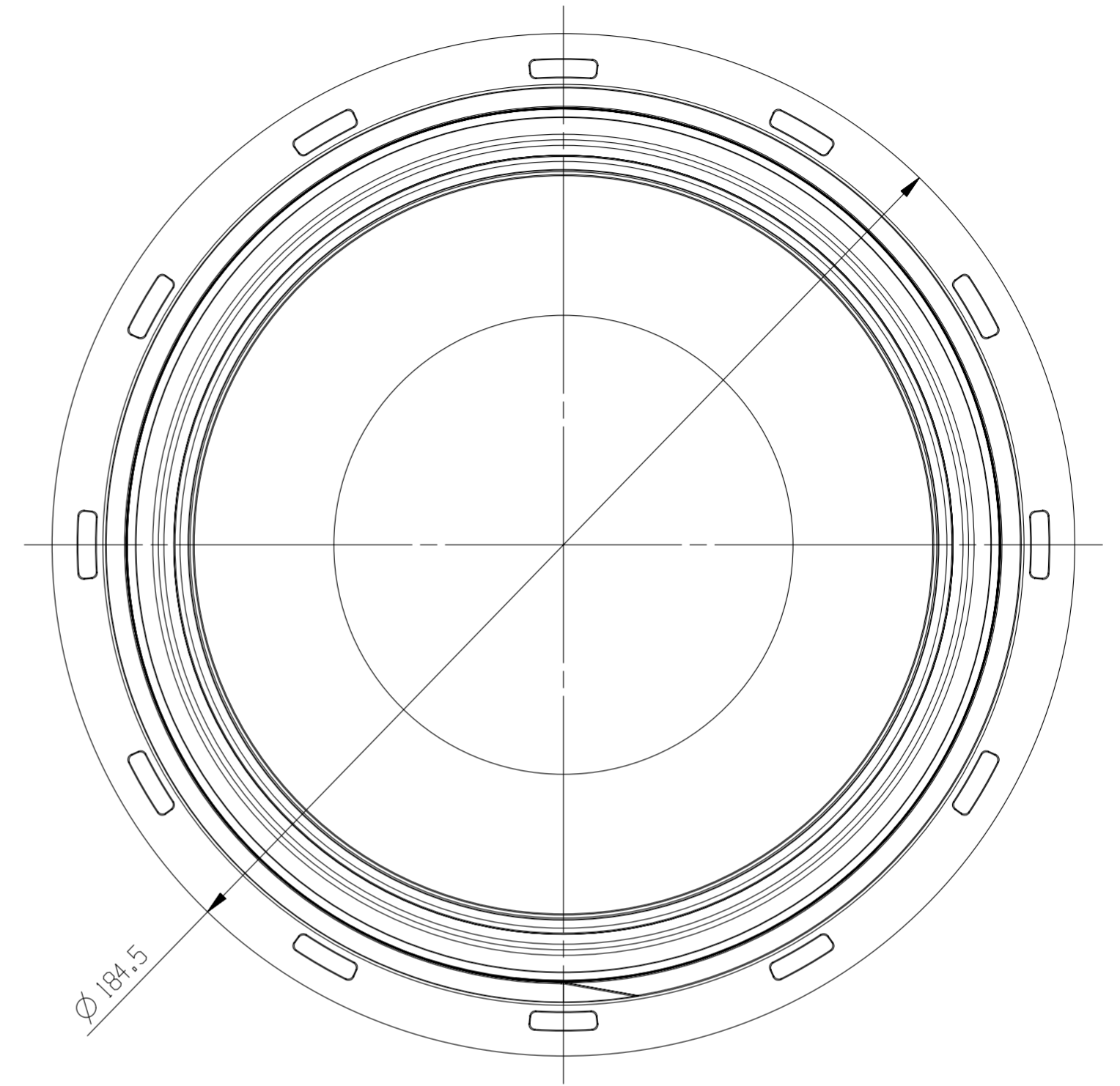


SECTION A-A



GJL
GM LID-6-B2SN

Material - Polypropylene
Gasket - EPDM

Weight - 192 g